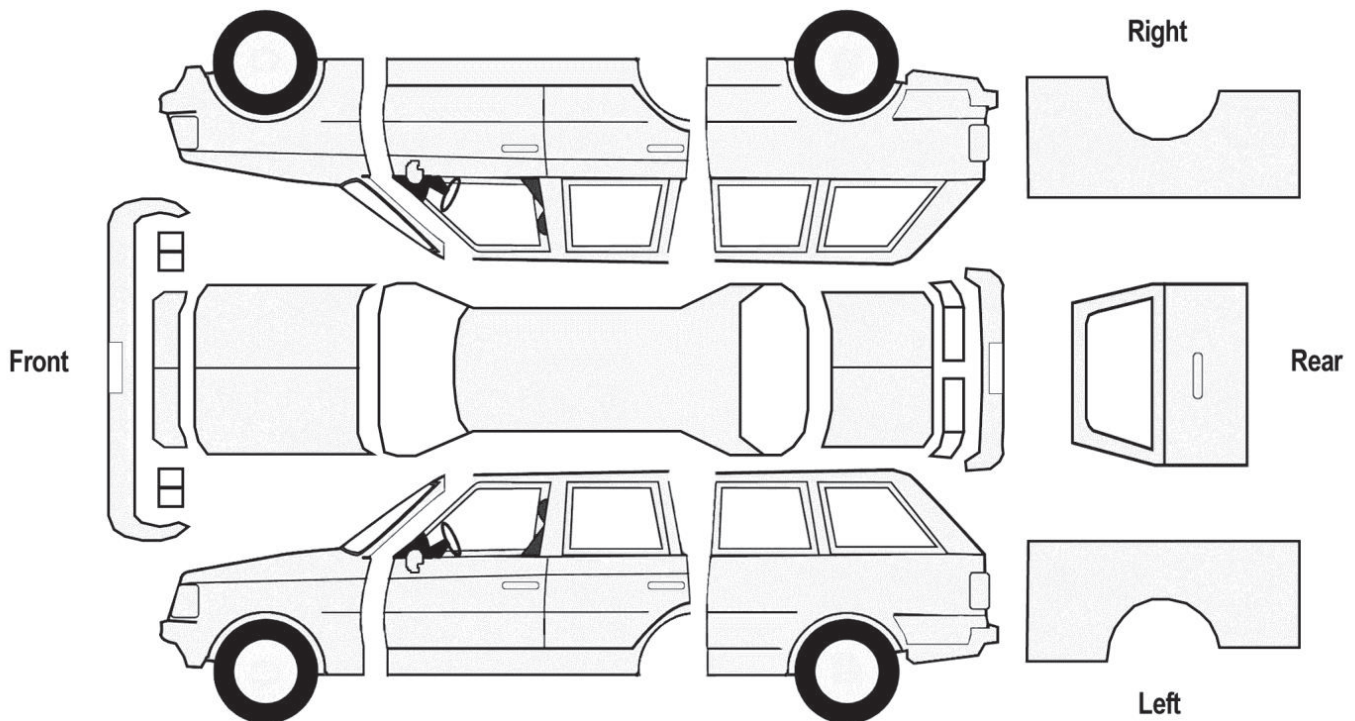


PRE-REPAIR INSPECTION OF VEHICLE

Customer Name:			R.O. #
Mileage In:	Year:	Make:	Model:

Dash Warning Lights: _____ **Fuel** (circle one): **E** **1/8** **1/4** **1/2** **3/4** **F**

Radio Pre-Sets: FM									
Radio Pre-Sets: AM									



Codes:

1. Scratches	4. Loose Moulding	7. Rust	10. Peeling Paint
2. Chips	5. Overspray	8. Missing Part	11. Mismatched Paint
3. Dings/Dents	6. Broken/Cracked Part	9. Sun Faded	12. Other

- Exterior*:** Muddy Dirty Snow Covered Rust Areas
- Interior*:** Tears/Cracks Burns Stains/Dirty Worn

(*Pictures recommended)

Notes:

See attached photos for documentation

Customer Signature: _____ Date: _____

Rep. Signature: _____ Date: _____